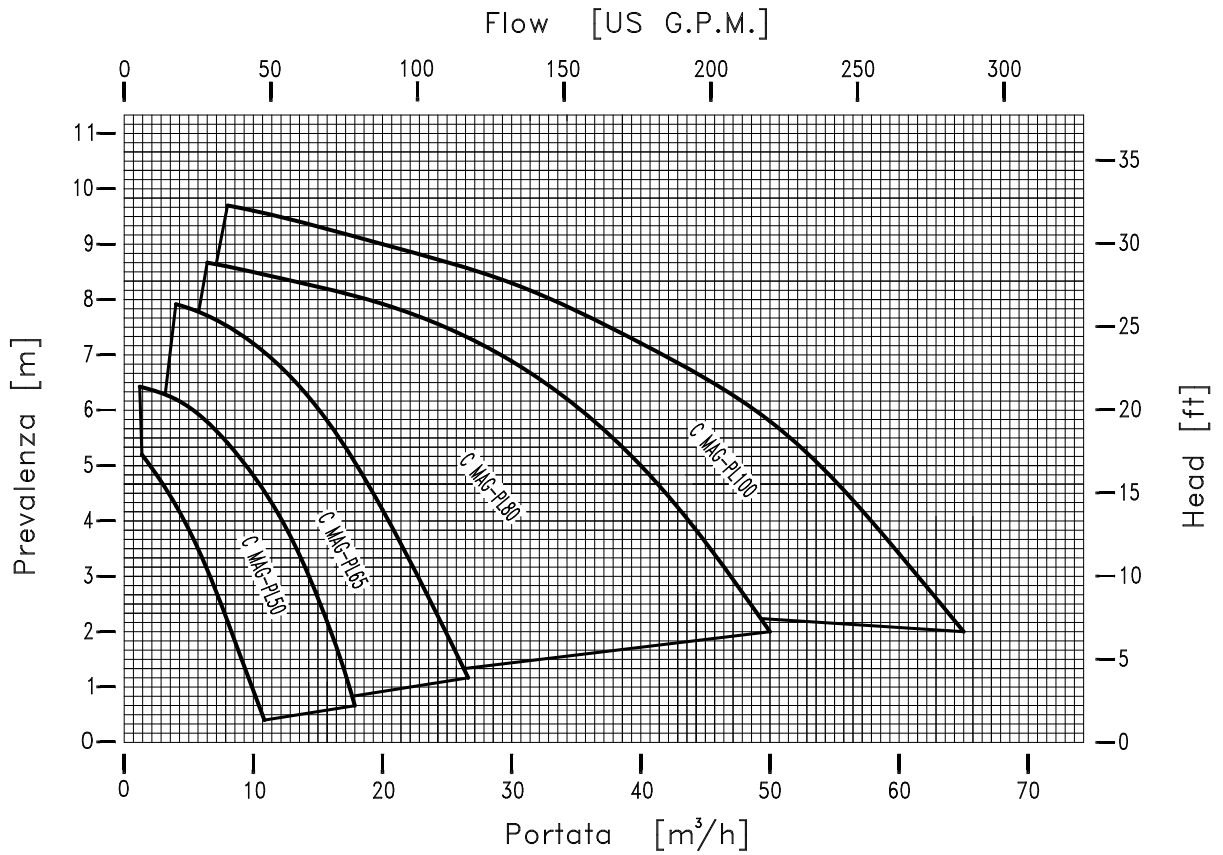




Curve N°: 10672	1450 RPM
-----------------	----------



Curve N°: 10672	2900 RPM
-----------------	----------

