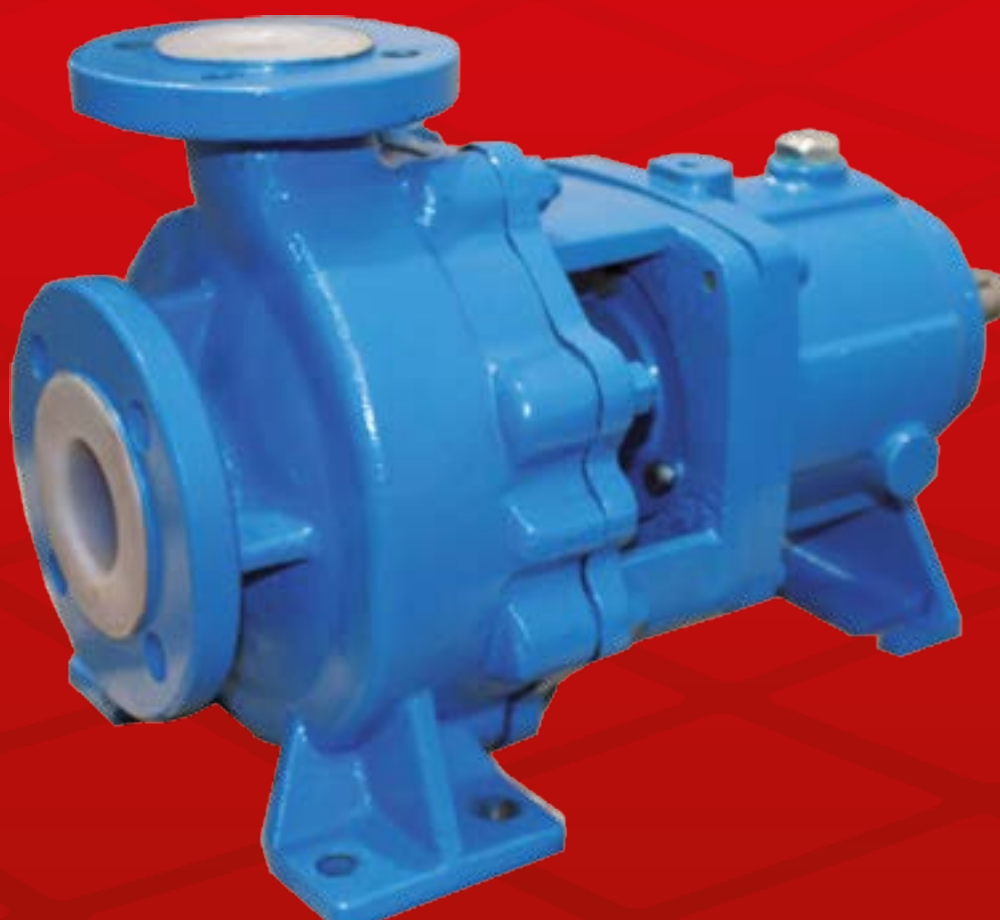


**CENTRIFUGAL, SINGLE STAGE, LINED, ACCORDING  
TO ISO 2858 - 5199. MECHANICAL SEAL CHAMBER  
ACCORDING TO ISO 3069/ UNI EN 12756**



#### **CL SEAL-M Series**

CL SEAL-M Series are centrifugal single stage lined for chemical industry, according to ISO 2858 and 5199.

A high thickness PFA lined coating made by transfer molding ensure exceptional corrosion resistance and allows to these pumps to operate up to +120°C and system pressure up to 16 bar.

Wide possibility to install different mechanical seals, single, double, packing of the major brands on the market.

# CL SEAL-M

# PUMP DETAILS

## Pump casings

Robust cast iron (ASTM A395) casings absorbs pipework forces and eliminates need for expansion joint. High thickness transfer moulded unfilled, pure PFA lining for best chemical compatibility.

## Nozzles

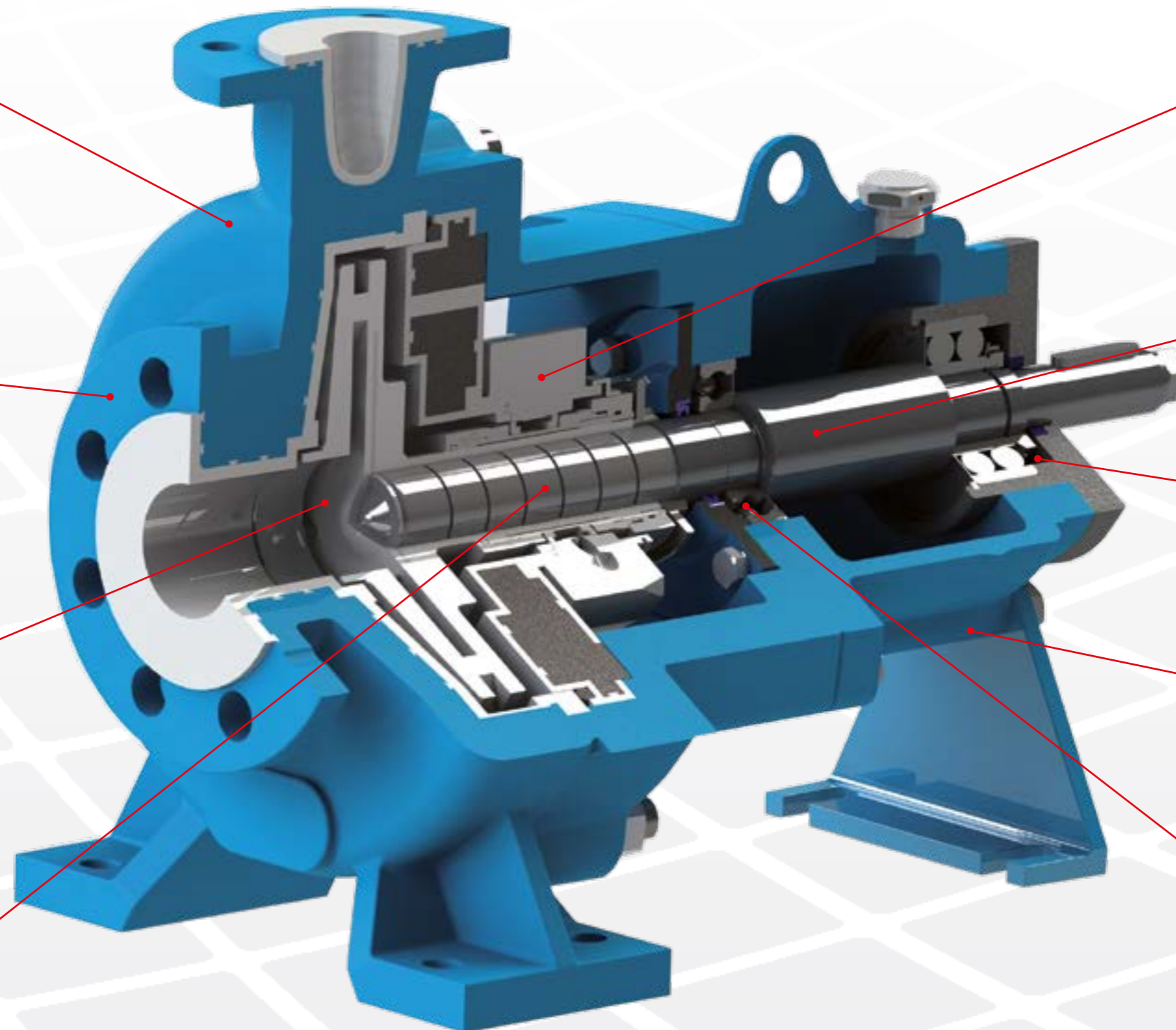
Suction and discharge connections are flanged CLASS 150 RF or DIN PN16.

## Impeller

Multiple closed impellers for most casings to meet specific hydraulic requirements. Balanced to stringent requirements of ISO EN 9906:2000.

## Pump Shaft

Pump shaft is made in one piece with impeller fully lined. No o-ring sealed, for best quality.



## Mechanical shaft seals

The CL SEAL-M pumps will be equipped with mechanical seals and sealing systems to suit perfectly to your application. Various configurations available, single, double, dry, wet mechanical seal can be supply.

## Shaft

- Fully machined
- Large diameters
- Low stress design
- Minimum deflection

## Bearing Isolator

Lip seal protection is standard, labyrinth seals on request

## Surfaces protection

High thickness two layer epoxy painting, stainless steel screws.

## Bearings

- 7300 Series 40° angular contact, trust bearing with machined brass cages.  
- 6200 series radial ball bearing with C3 clearance - acc. to ISO 5199:2002.  
Ball bearings greased for life is standard configuration.  
Oil bath system with constant level oiler available on request

CL SEAL-M Design Lined mechanically sealed single stage centrifugal pump. Dimensions and delivery data to ISO/EN 2858/5199 Frame-mounted. ATEX 94/9/EG.

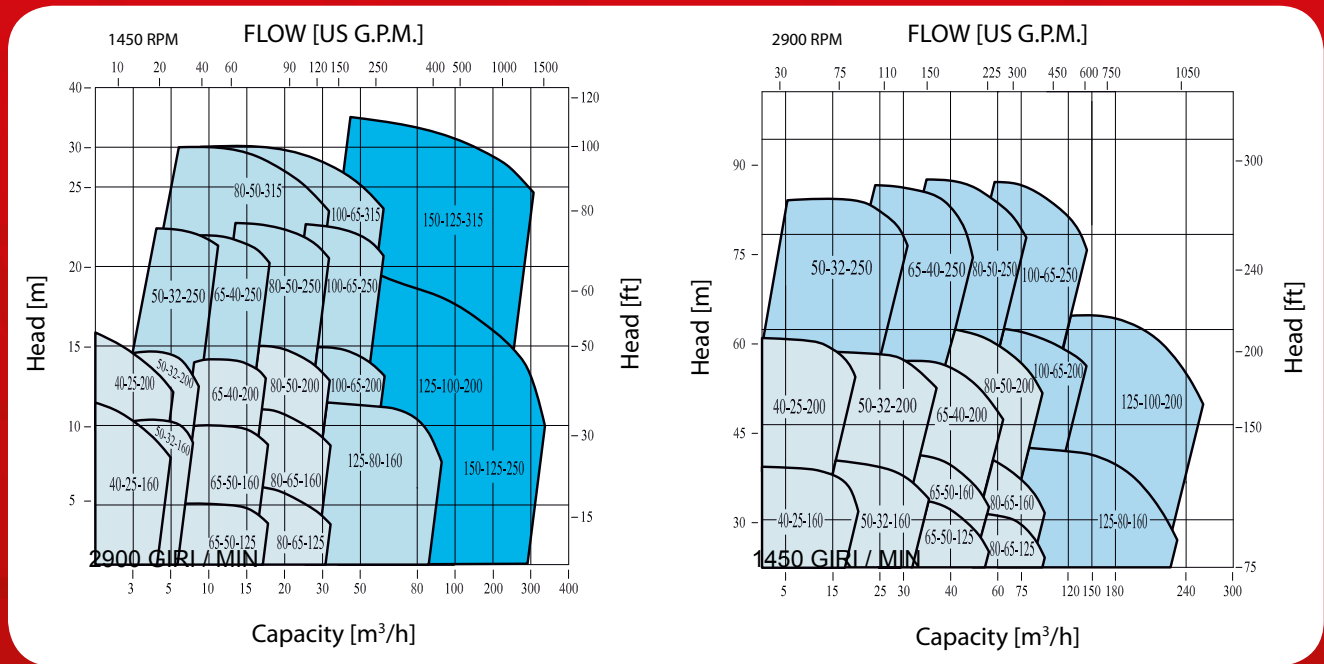
**Connections:**

Flange rating per ANSI B16.5 Class 150, DIN PN 16

**Operating Limits**

- Flow: up to 340 m<sup>3</sup>/h
- Head: up to 86 m (450 ft)
- Temperature range: -30 °C (-22 °F) to +120 °C (+250 °F);
- System pressure: max. 16 bar (290 psi)
- Capability of handling solids depending on share, shape, hardness: consult factory

**Performance curves**



Prodotto da:



A unit of  
**Mischiatti**  
GROUP

**M PUMPS PROCESS s.r.l.** - Via dell'Artigianato, 120  
45015 Corbola (Ro) - Italy - [www.mpumps.it](http://www.mpumps.it)  
Tel. +39 0426 346304 - Fax +39 0426 349126

Per ulteriori informazioni contattare:

